



## SOLAR MODULES

# YI-25P

### Specifications

Cell Type	Poly-Silicon solar Cells
Cell Size	52mm×78mm
No. of cells and connections	36
Dimension of module(mm)	530*350×20mm
Weight	2.5Kg

### Electrical Characteristics

Model	YI-25P
Maximum power at STC(Pm)	25W
Open-circuit voltage(Voc)	21.80V
Short-circuit current(Isc)	1.54A
Voltage at Pmax(Vmp)	17.91V
Current at Pmax(Imp)	1.40A
Application	DC 12V system

(STC:Irradiance AM1.5, 1000W/m<sup>2</sup>, 25°C)

### Limits

Fuse rating	10A
Maximum system voltage	715VDC
Operating temperature	-40~+85°C

### Temperature and Coefficients

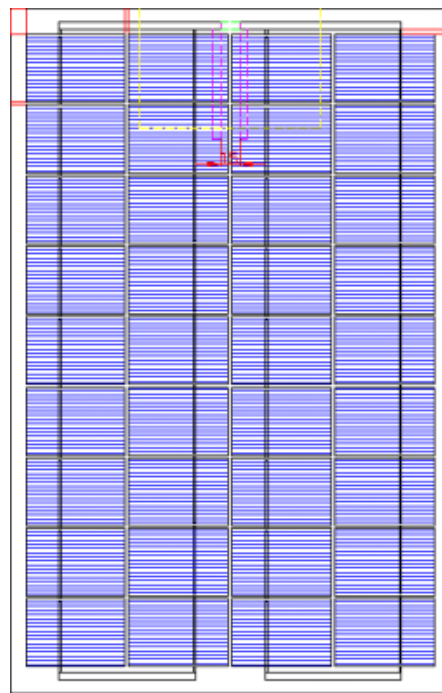
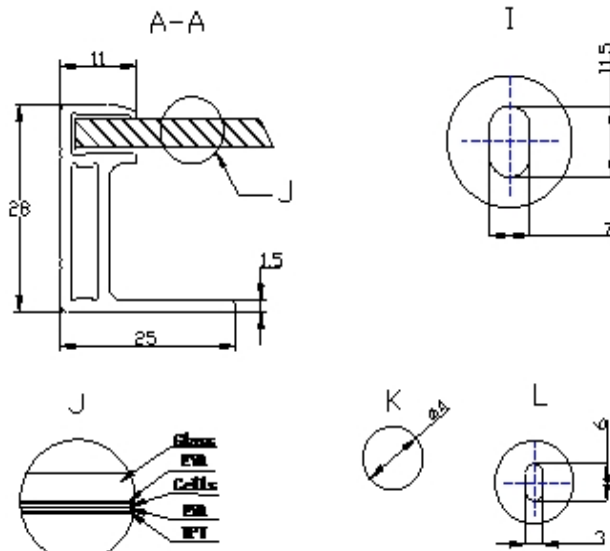
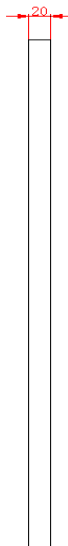
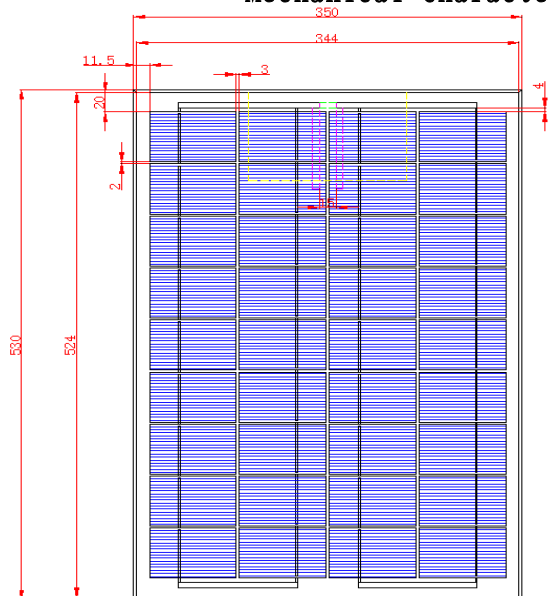
NOCT	45°C±2°C
Temp coefficient of Voc	-0.30%/°C
Temp coefficient of Isc	0.037%/°C
Temp coefficient of power	-0.45%/°C

NOCT:Nominal Operation Cell Temperature

### Output

Type of output terminal	Junction box IP65
Cable	4mm <sup>2</sup>
Cable lengths	40mm
Connector	Plug type

### Mechanical Characteristics



### Characteristics Curve

