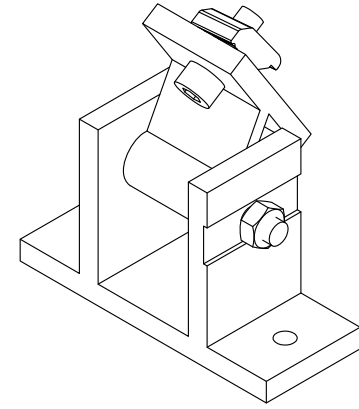
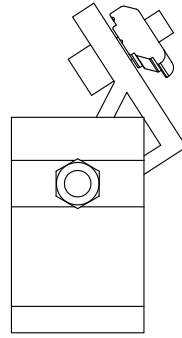
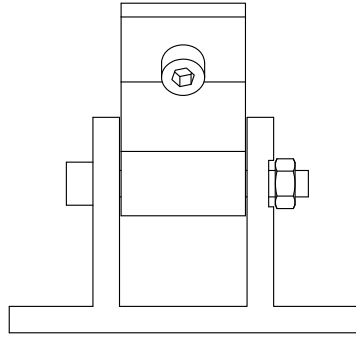
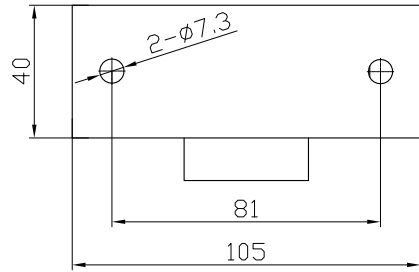


WORKING COPY  
THROWN AWAY AFTER USE



3D示意图



This document is Universe Solar and shall not without Universe Solar written permission be copied, imparted to third party or used for any unauthorized purpose.



No	Changes and/or note no.-nr	Date	Change By
B			

Scale N.S.T	Drawn by	Project	Weight	kg	Volume	l
Date 2012-05-30	App by		Code		Sheet 1 of 1	
Universe Solar Technology Co.,Ltd.			Draw. no.		Rev.	A