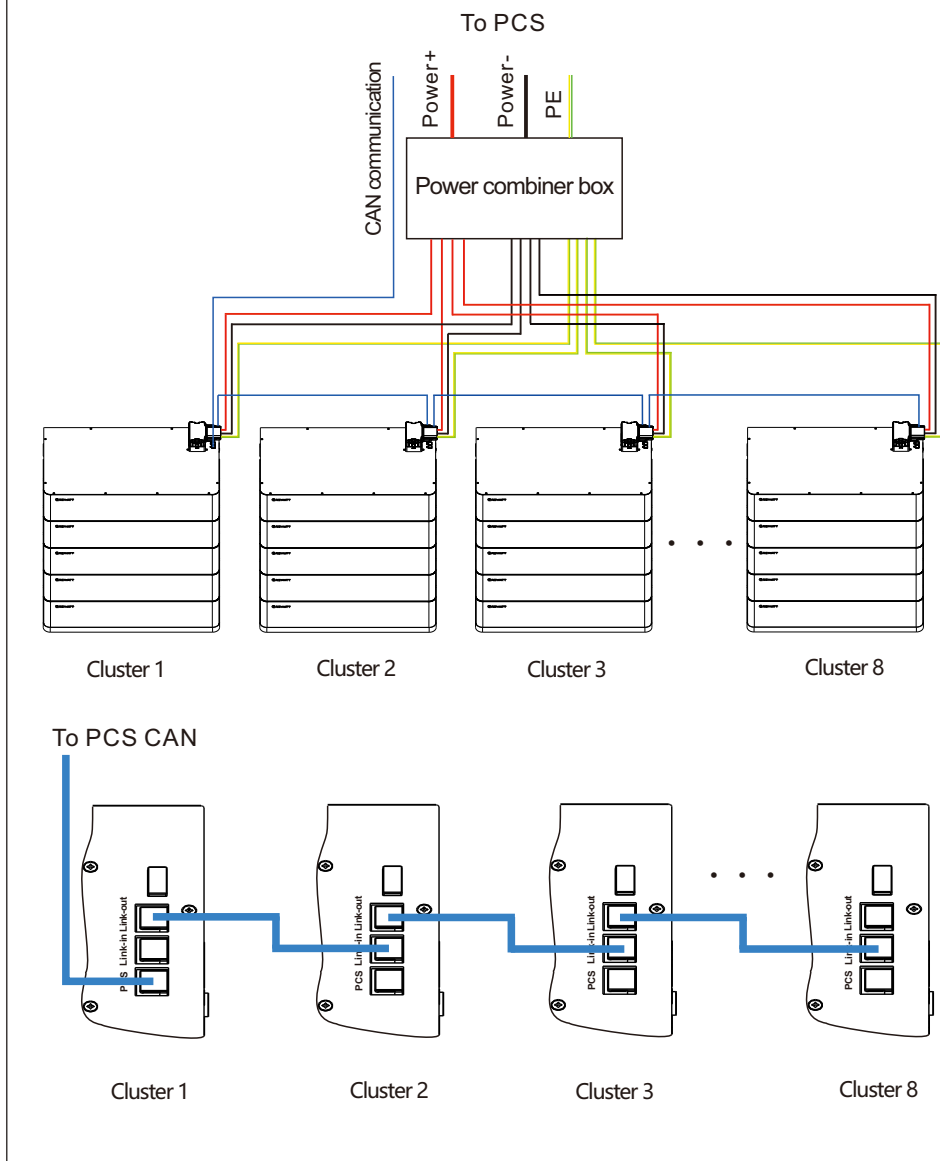


7-2 Wiring of Multi-clusters battery in parallel

Note: 1.Supports up to 8 clusters in parallel.
2.The power combiner box needs to be prepared by the user.



8.Key operation

Power button

| Situation | Touch | Definition | |
|------------|--------------|-------------|--|
| System off | Press (< 2S) | No reaction | |
| | Press (≥ 2S) | Power on | |
| System on | Press once | Shut down | |

Note: When multiple battery system are used in parallel connection, you only need to press one key of any module to start the system.and also press one key to shut down the battery system.

9.Service and contact

Shenzhen Growatt New Energy CO.,Ltd

4-13/F, Building A, Sino-German, Europe, Industrial Park,
Hangcheng Ave, Guxing Community, Xixiang Subdistrict,
Bao'an District, shenzhen, China.

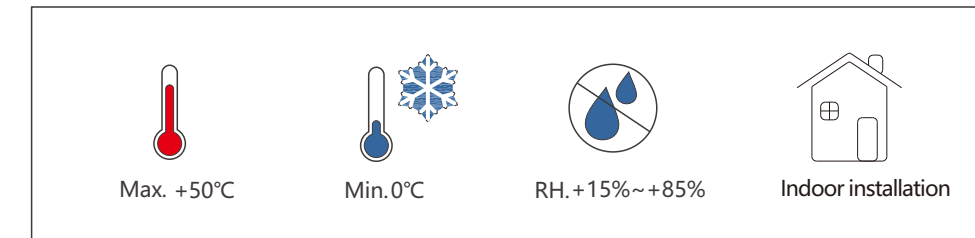
☎ 86 0755 2747 1942 ✉ service@ginverter.com

W:www.ginverter.com

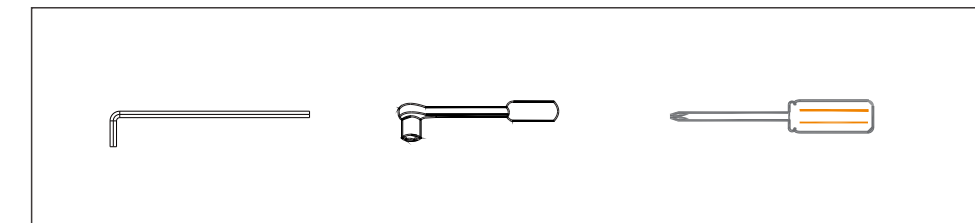


Growatt New Energy

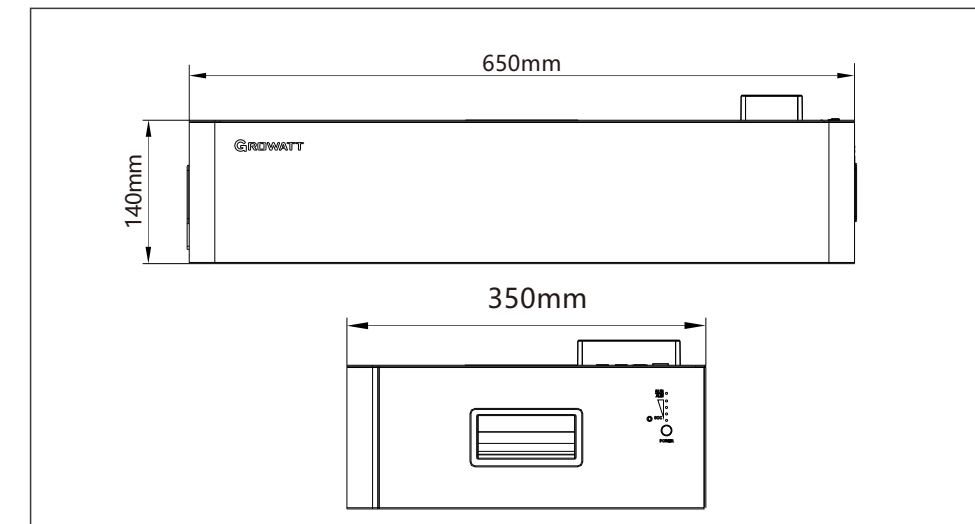
1.Installation environment



2.Installation tools

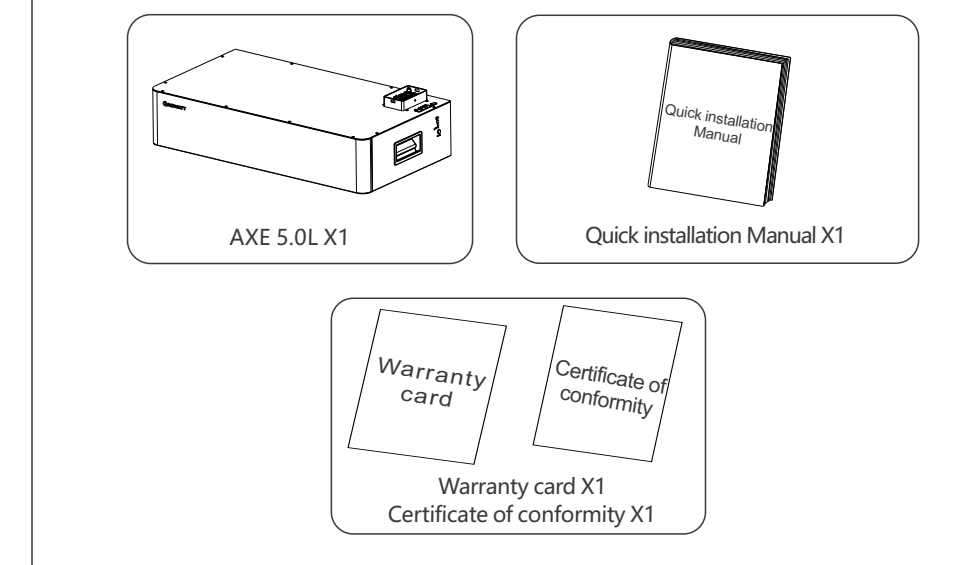


3.Battery size

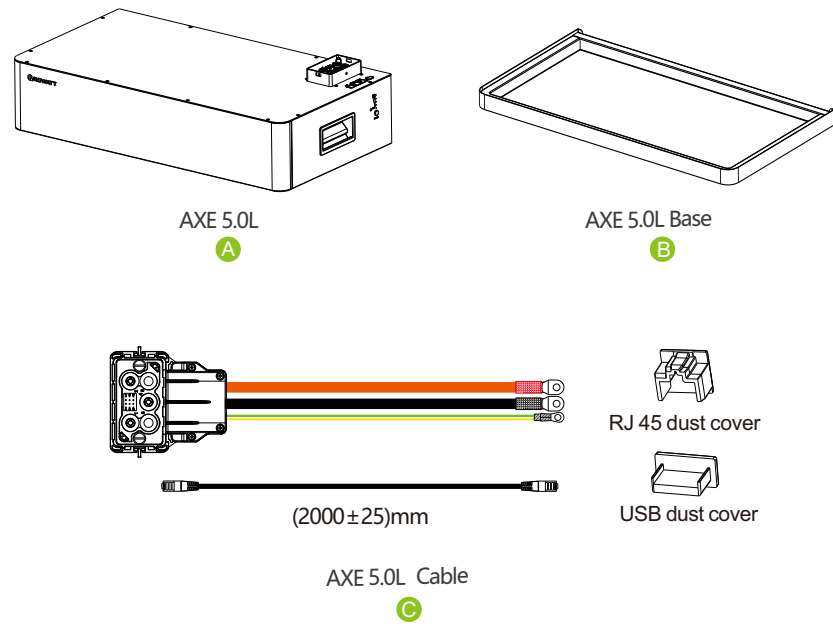


4.Check

4-1 Check AXE 5.0L packing list



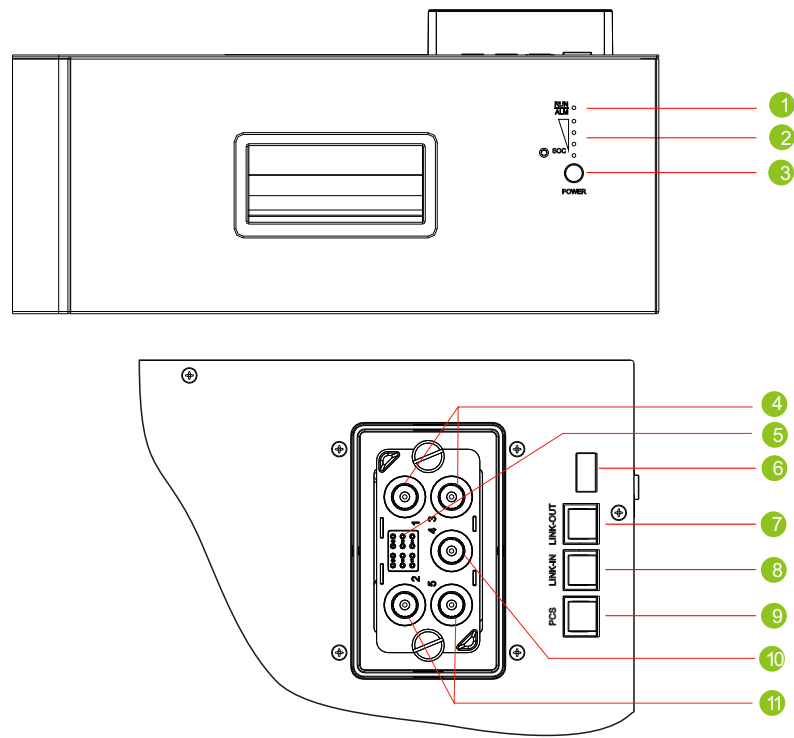
4-2 Check accessories



| Installation Method | Compound Mode |
|-----------------------------------|---------------|
| Standard floor installation | A*M+B+C |
| Floor installation into N columns | A*M*B*N+C*N |

Note: "M" means the number of batteries, "N" means the number of clusters.

5. Battery operation panel introduction

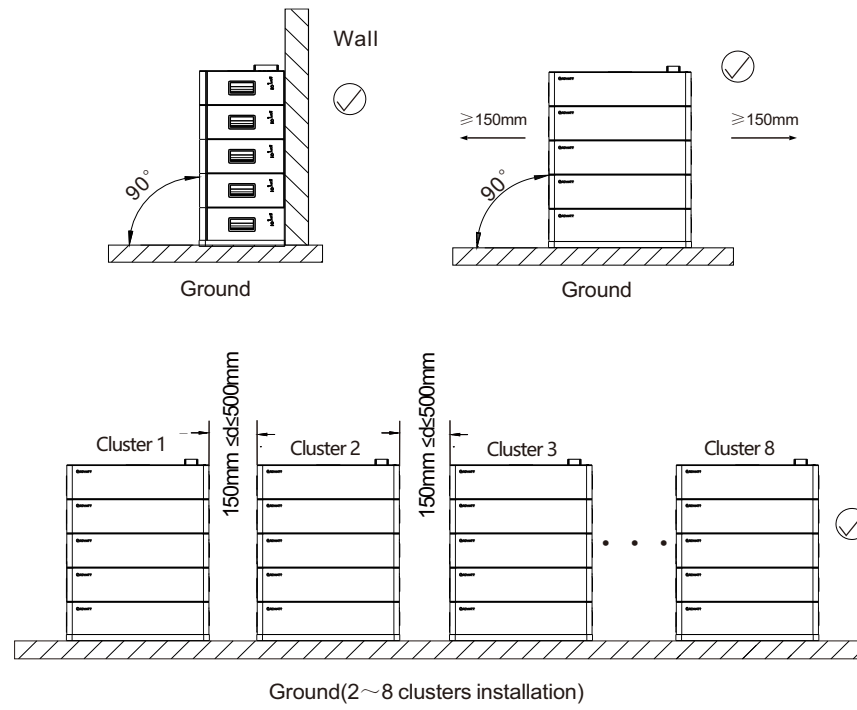


| | | | |
|---|---|----|--|
| 1 | Fault light | 7 | Link-out for multi-cluster in parallel communication |
| 2 | SOC light | 8 | Link-in for multi-cluster in parallel communication |
| 3 | Power button | 9 | PCS CAN communication |
| 4 | Positive terminal | 10 | GND terminal |
| 5 | Communication between battery packs of single cluster | 11 | Negative terminal |
| 6 | USB interface | | |

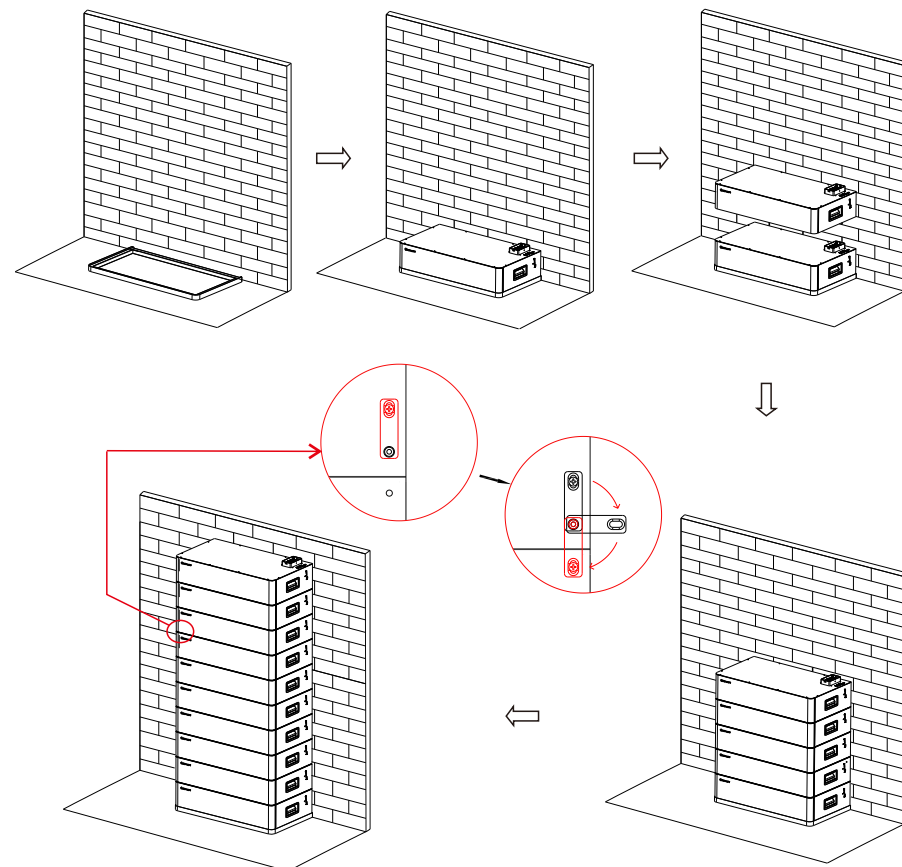
6. Floor installation with base

6-1 Installation Location Requirements

Note:
 1. The battery base is required while installing the battery system.
 2. The maximum quantity of stacking battery pack is 10, if it exceeds 10, please install them by the way of multiple clusters in parallel.
 3. Please install indoors and ensure the level of the ground.



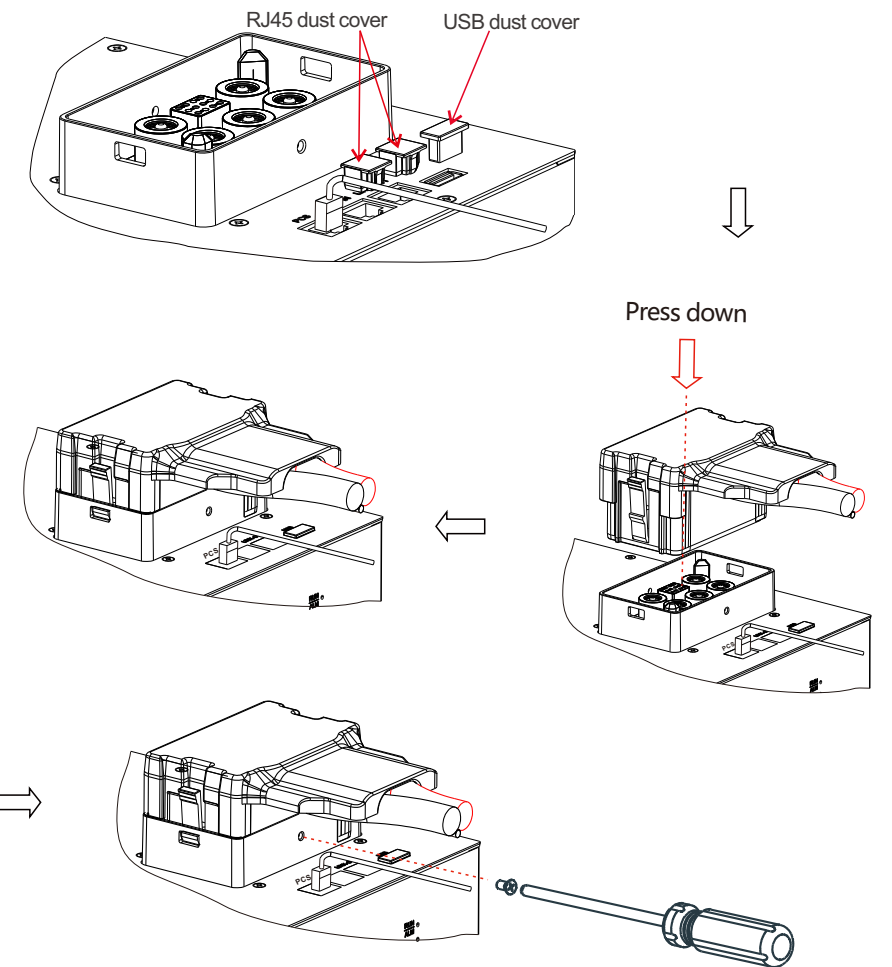
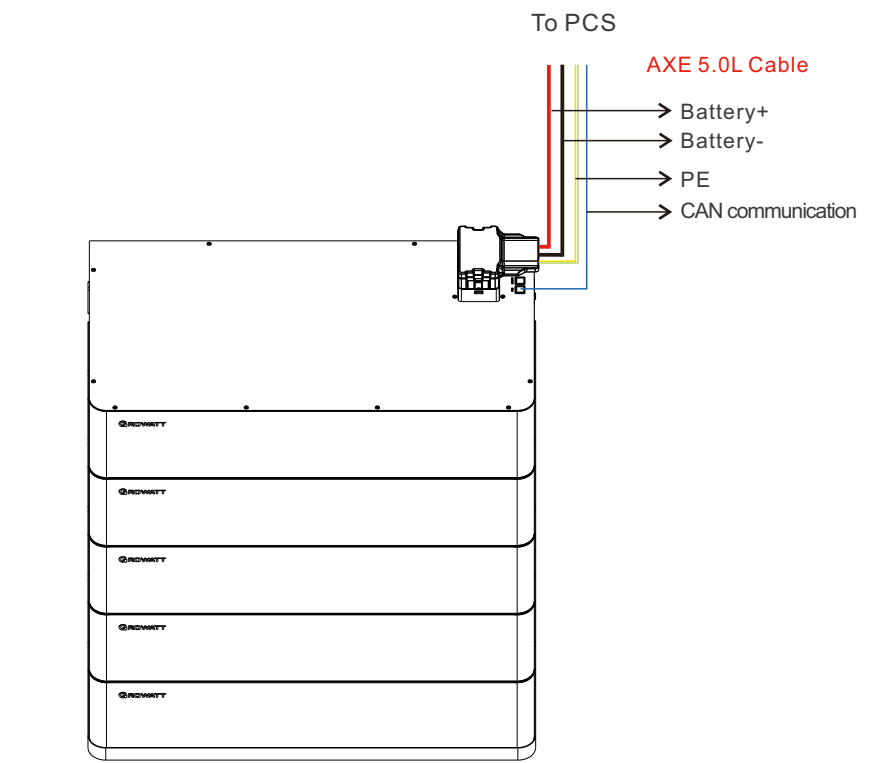
6-2 Installation Procedure



Note: When stacking, make sure that all batteries are aligned and lock the safety bolt.

7. Wiring

7-1 Single cluster wiring



Note: 1) Please install the communication line first, then plug the unused RJ45 port and USB port with a dust cover, and finally install the power line.
 2) No cable connection required between battery packs in a single battery cluster.